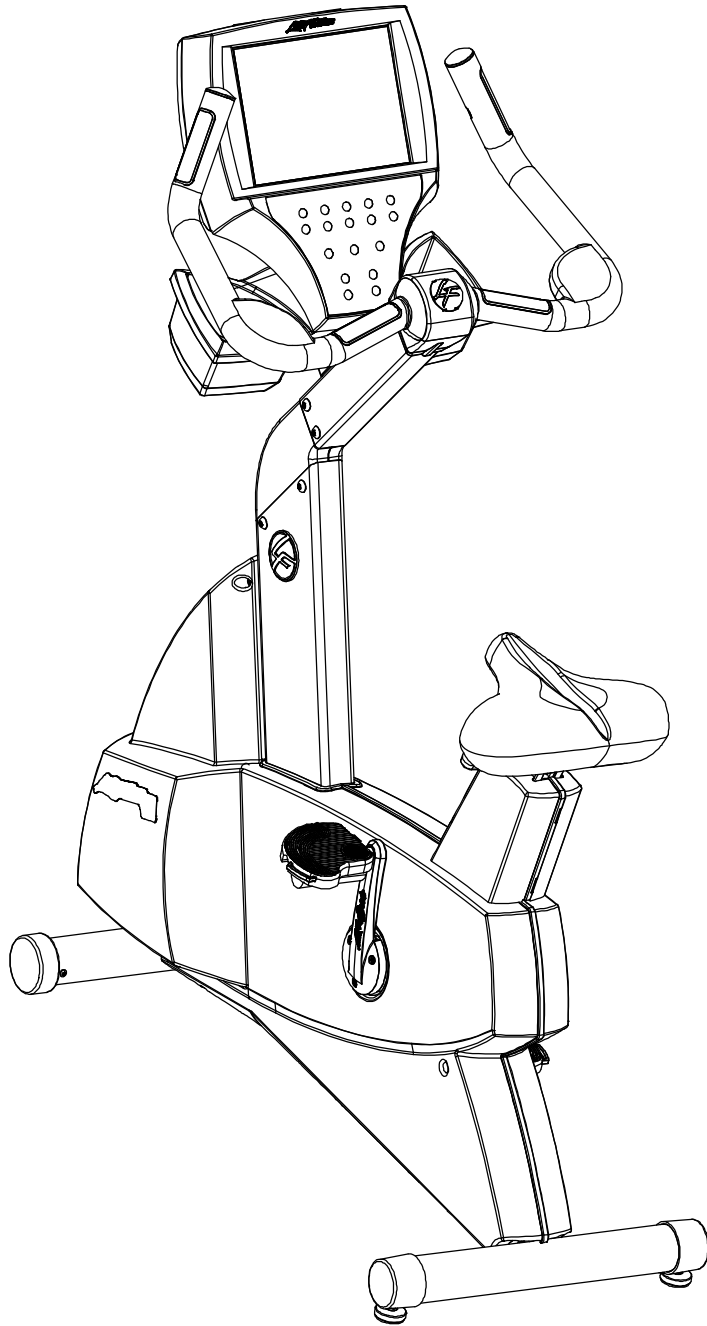


Life Fitness

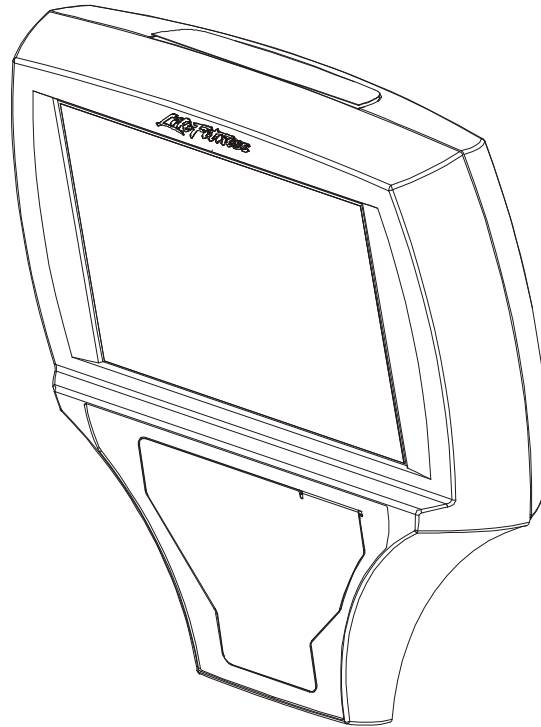
UPRIGHT BIKE 95CE



Customer Support Services
PARTS MANUAL rev. 07/21/05

OPERATOR MANUAL	M051-00K63-A088
SERVICE MANUAL	M051-00K63-B012
POWER-SUPPLY: 12V; 4.5A	118E-00001-0161
Without Line cord	
LINE-CORD: DOM. 10A 125V	0017-00003-0704
LINE-CORD: CON 10A 250V	0017-00003-0691
LINE-CORD: 10A; U.K	0017-00003-0889
LINE-CORD: AUSTRALIA	0017-00003-0918
HARDWARE Kit	GK63-00002-0056

	Page
CONSOLE ASSEMBLY	4
ALTERNATOR AND PULLEY	5
CRANK SHAFT AND BEARINGS.....	6
INTERMEDIATE SHAFT AND BEARINGS.....	7
SEAT LATCH ASSEMBLY	8
SEAT POST ASSEMBLY	9
SEAT POST SHROUDS.....	10
IDLER BRACKET ASSEMBLY	11
CONSOLE SUPPORT ASSEMBLY	12
LEFT SIDE SHROUD & CRANKARM.....	13
RIGHT SIDE SHROUD & CRANKARM	14
PCB MOUNTING BRACKET	15
FRONT WHEEL ASSEMBLY.....	16
RESISTOR ASSEMBLY	17
HANDLEBAR ASSEMBLY	18
BELTS	19
CABLES	20

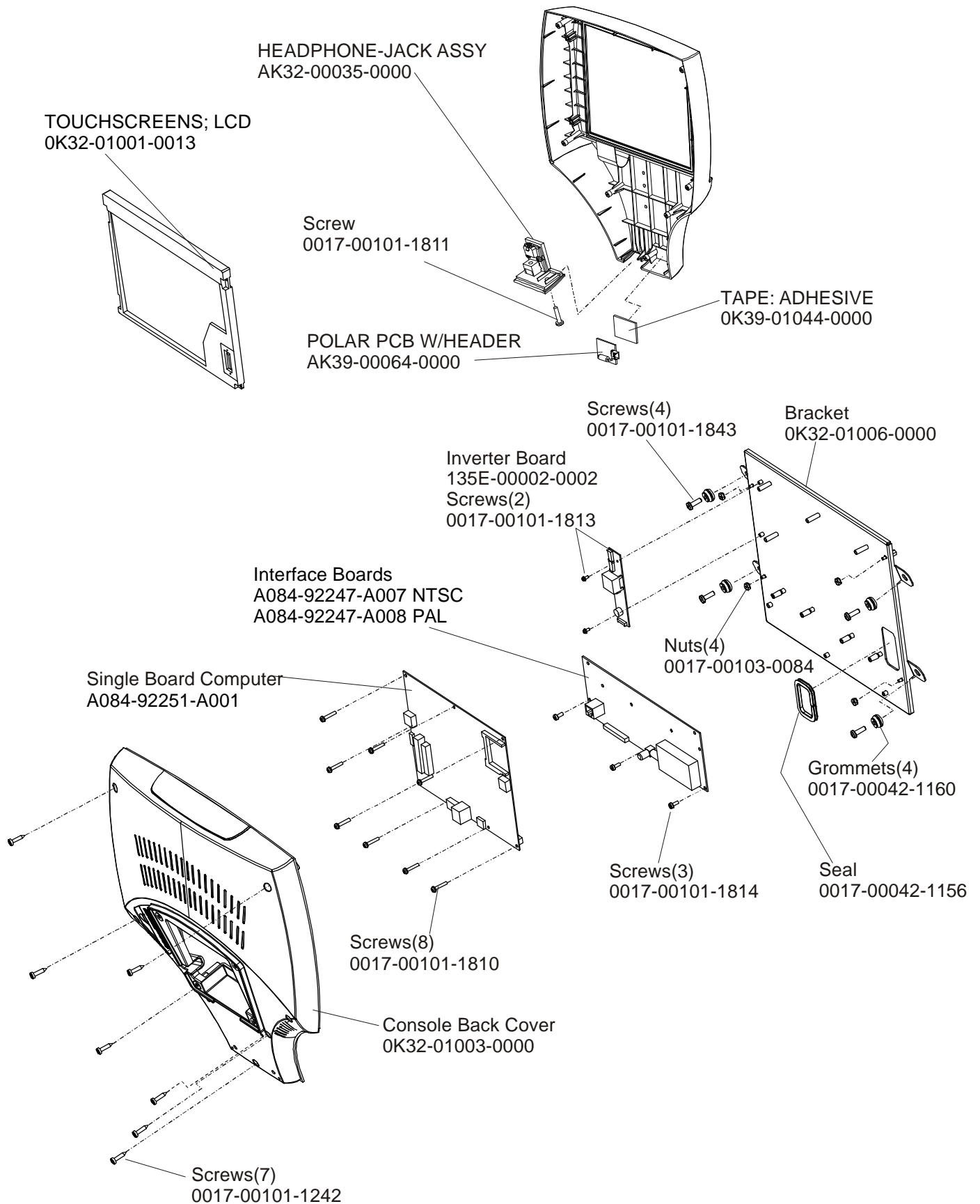


CONSOLE ASSEMBLY	
Part Number	Description
GK63-00002-0045	KIT: SERVICE CONSOLE NTSC ENG
GK63-00002-0046	KIT: SERVICE CONSOLE NTSC SPN
GK63-00002-0047	KIT: SERVICE CONSOLE NTSC JAP
GK63-00002-0048	KIT: SERVICE CONSOLE NTSC FRN
GK63-00002-0049	KIT: SERVICE CONSOLE PAL ENG
GK63-00002-0050	KIT: SERVICE CONSOLE PAL GER
GK63-00002-0051	KIT: SERVICE CONSOLE PAL SPN
GK63-00002-0052	KIT: SERVICE CONSOLE PAL FRN
GK63-00002-0053	KIT: SERVICE CONSOLE PAL ITL

OVERLAY BEZEL ASSEMBLY	
Part Number	Description
AK63-00247-0001	BZL/SW W/OVERLAY ASSY: MFG; ENG
AK63-00247-0003	BZL/SW W/OVERLAY ASSY: MFG; GER
AK63-00247-0004	BZL/SW W/OVERLAY ASSY: MFG; SPN
AK63-00247-0006	BZL/SW W/OVERLAY ASSY: MFG; JAP
AK63-00247-0007	BZL/SW W/OVERLAY ASSY: MFG; FRN
AK63-00247-0008	BZL/SW W/OVERLAY ASSY: MFG; ITL
AK63-00247-0009	BZL/SW W/OVERLAY ASSY: MFG; DUT
AK63-00247-0010	BZL/SW W/OVERLAY ASSY: MFG; POR

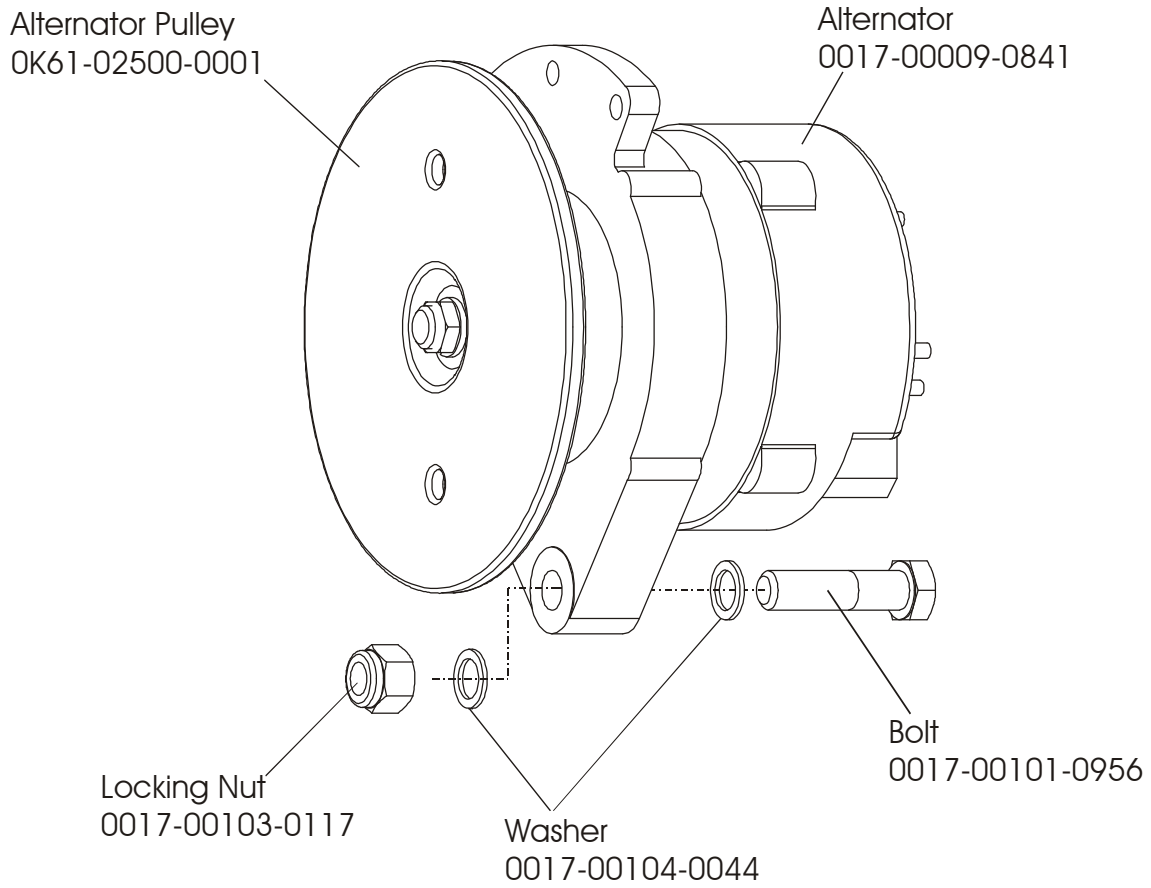
Life Cycle 95CE
Console Assembly

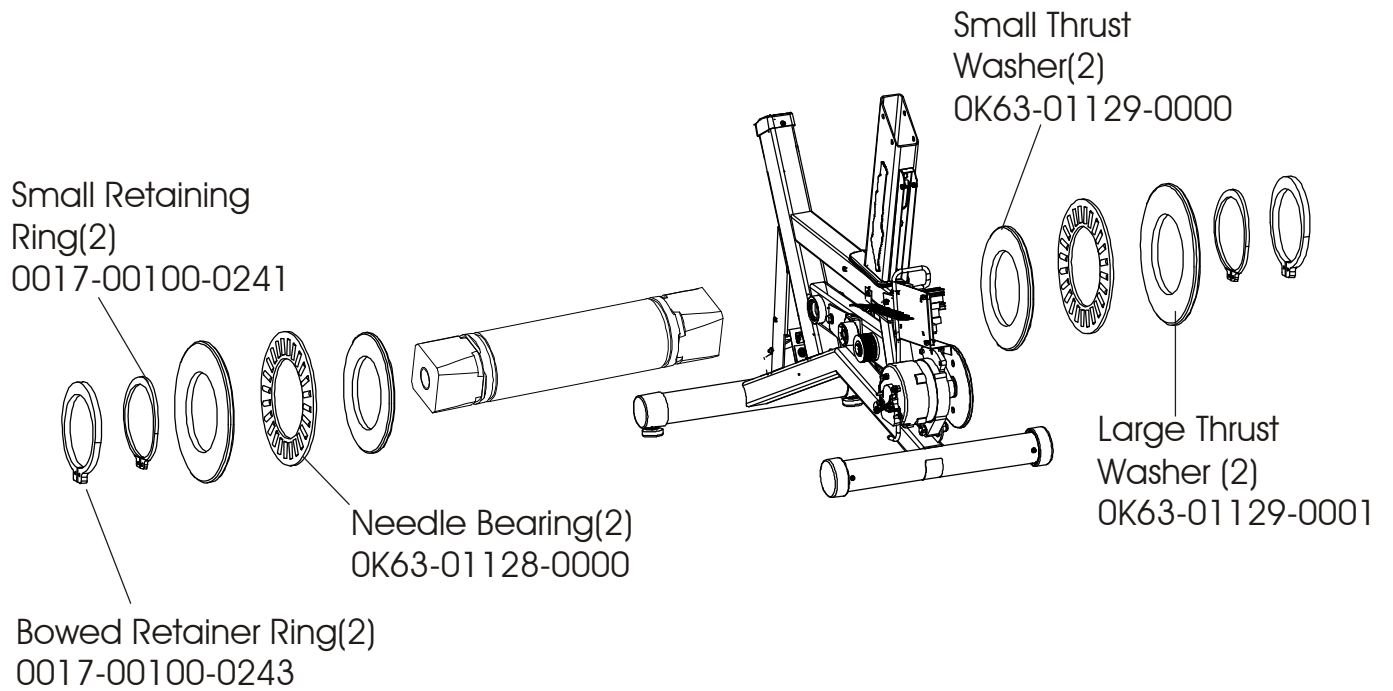
95CE-0__-01
S/N LCE100000



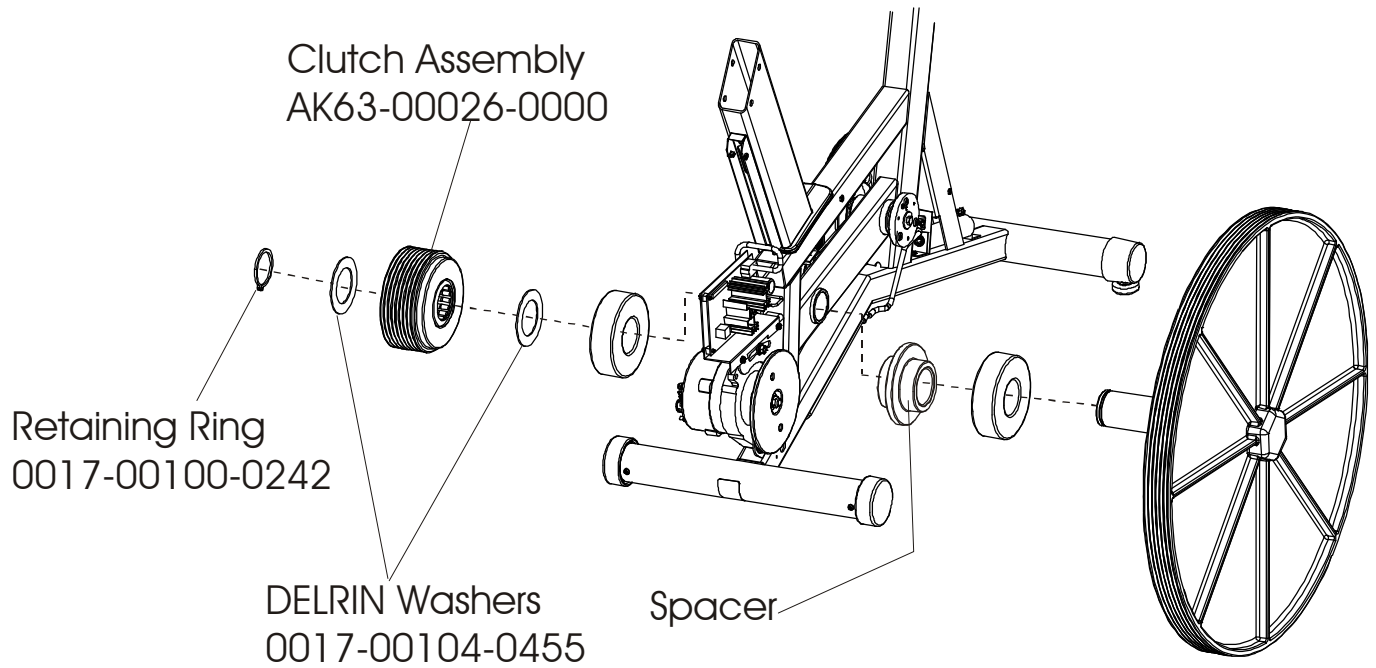
Life Cycle 95CE
Alternator and Pulley

95CE-0__-01
S/N LCE100000





Crank Shaft & Bearing Kit - GK63-00002-0006
(All items on this page are included in the kit.)



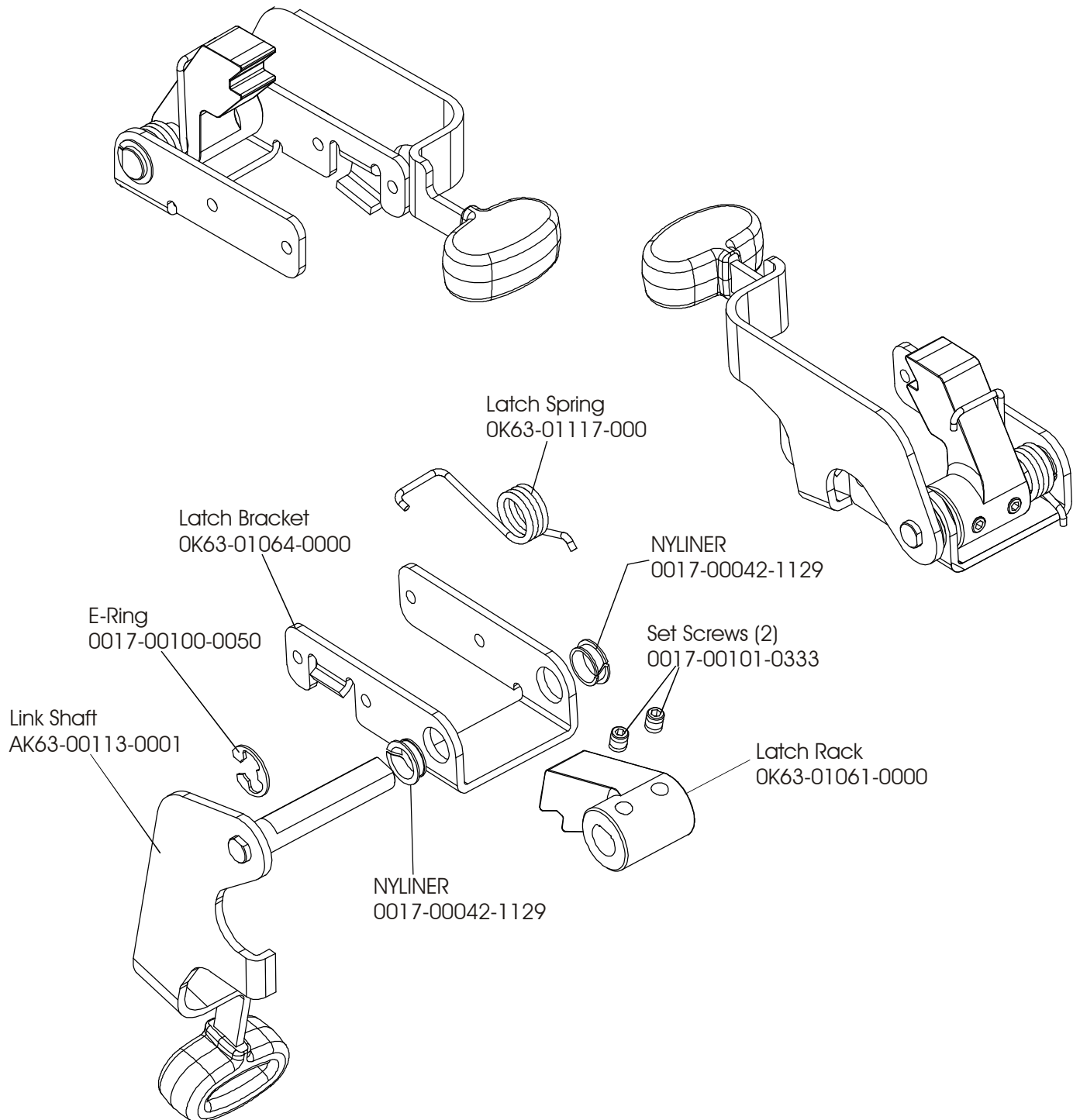
Intermediate Shaft & Bearing Kit - GK63-00002-0007
(All items on this page are included in the kit.)

Life Cycle 95CE

Seat Latch Assy - AK63-00043-0001

95CE-0__-01

S/N LCE100000

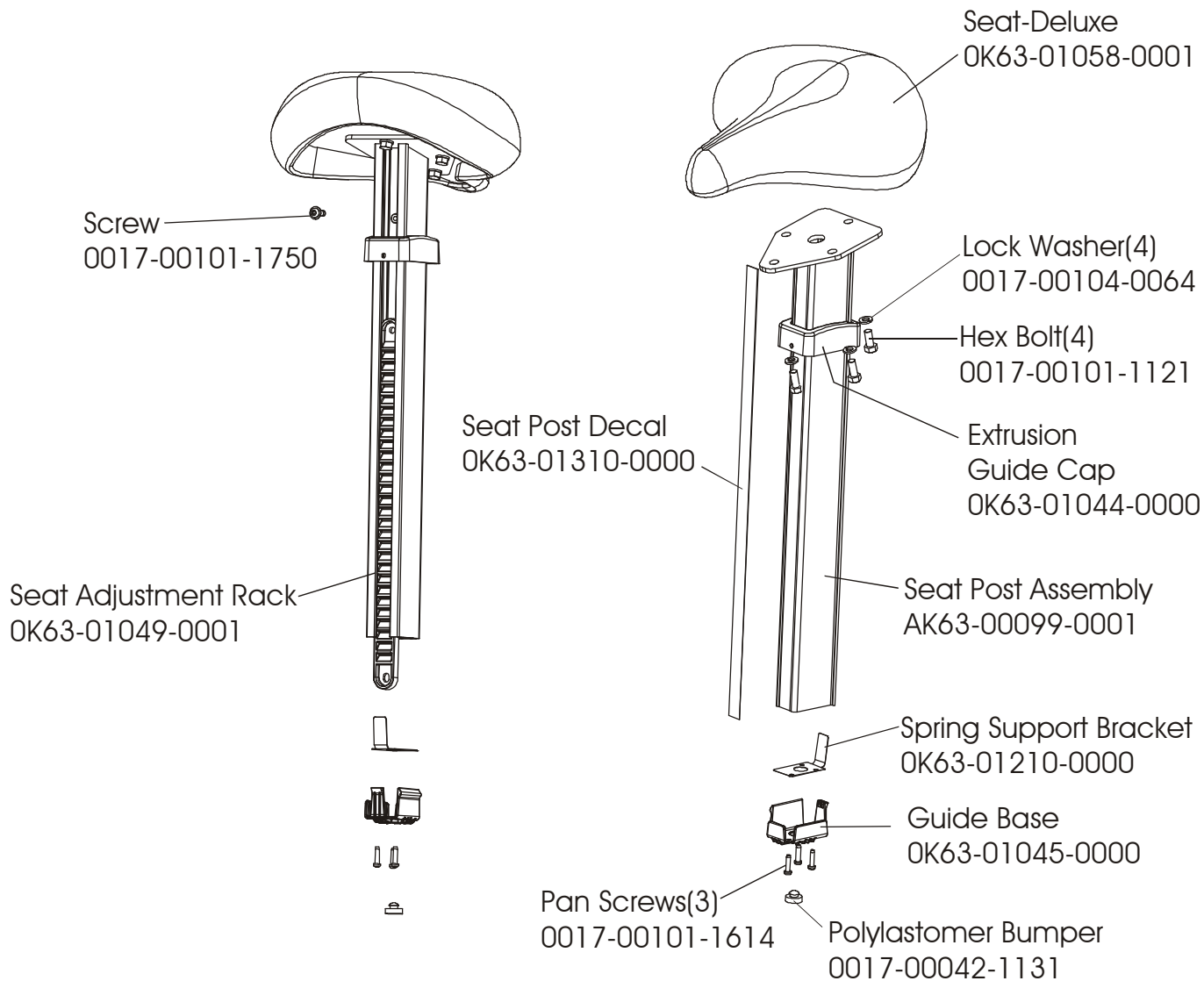


Life Cycle 95CE

Seat Post Assy – AK63-00232-0002

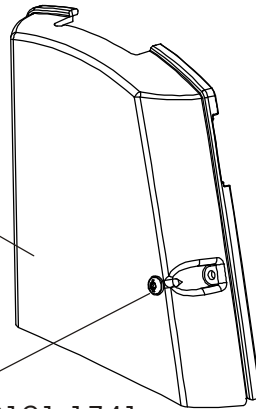
95CE-0__-01

S/N LCE100000

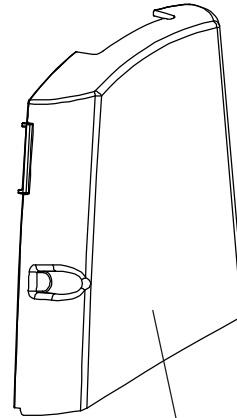


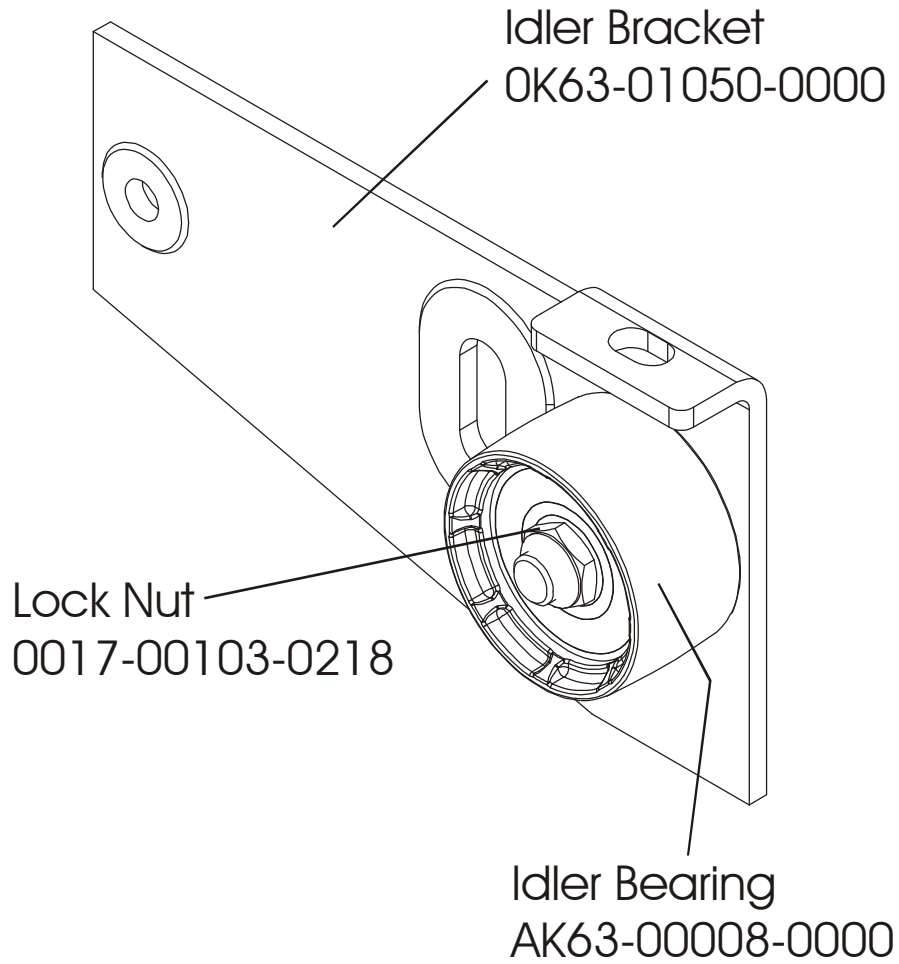
Left Seat Post Shroud
OK63-01092-0010

Screw
0017-00101-1741



Right Seat Post Shroud
OK63-01092-0001



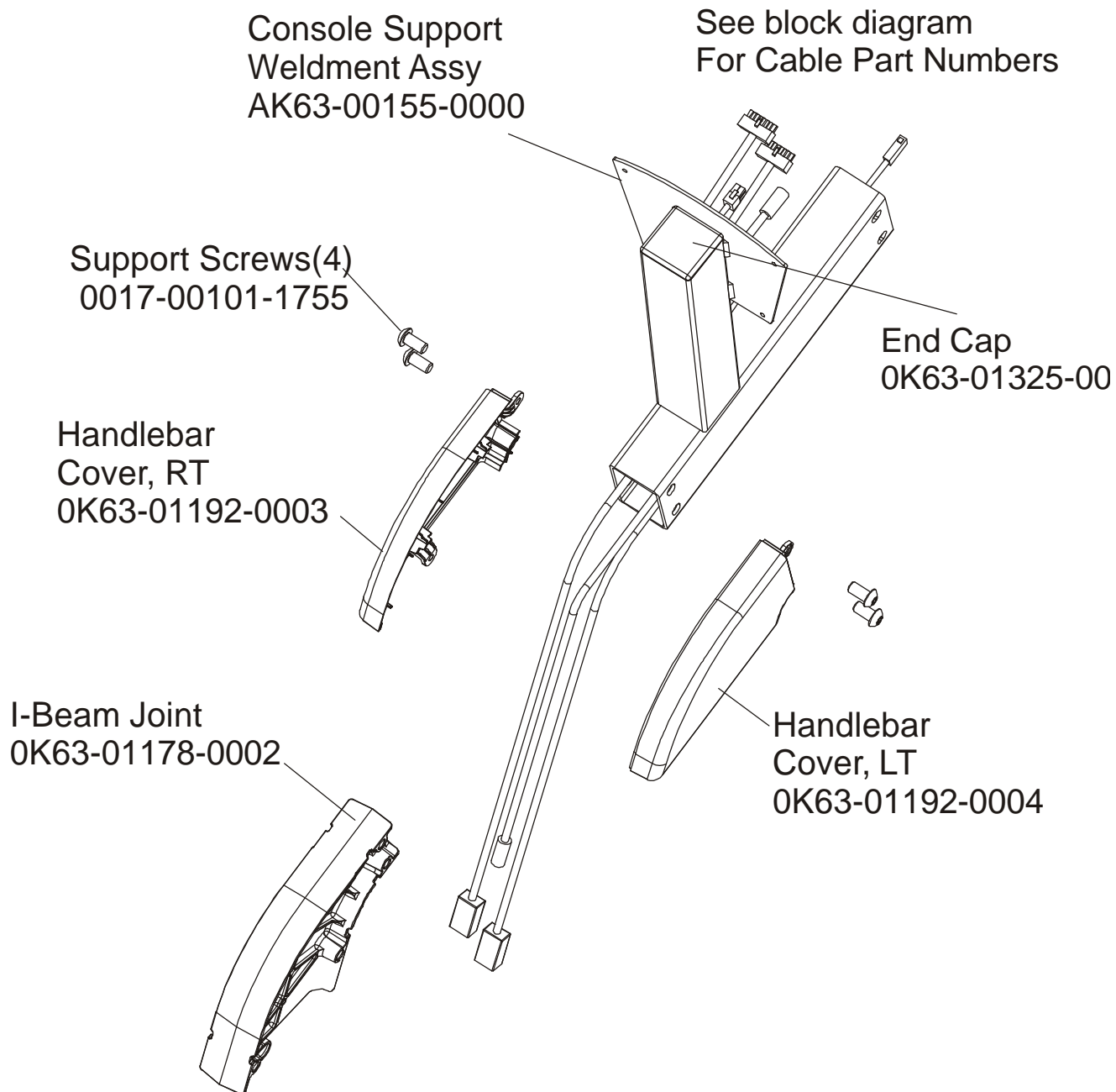


Life Cycle 95CE

Console Support AK63-00193-0000

95CE-0__-01

S/N LCE100000

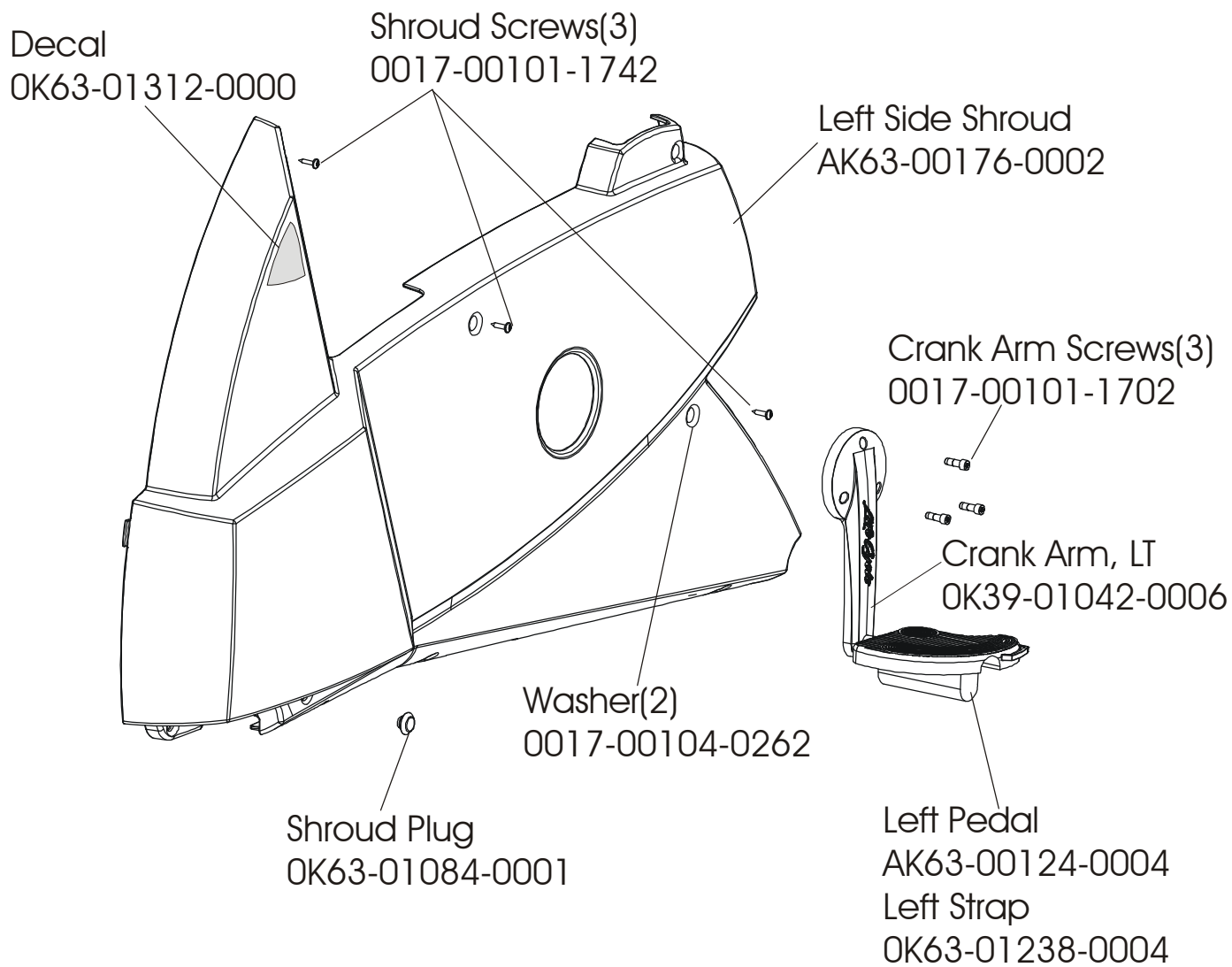


Life Cycle 95CE

Left Side Shroud and Crankarm

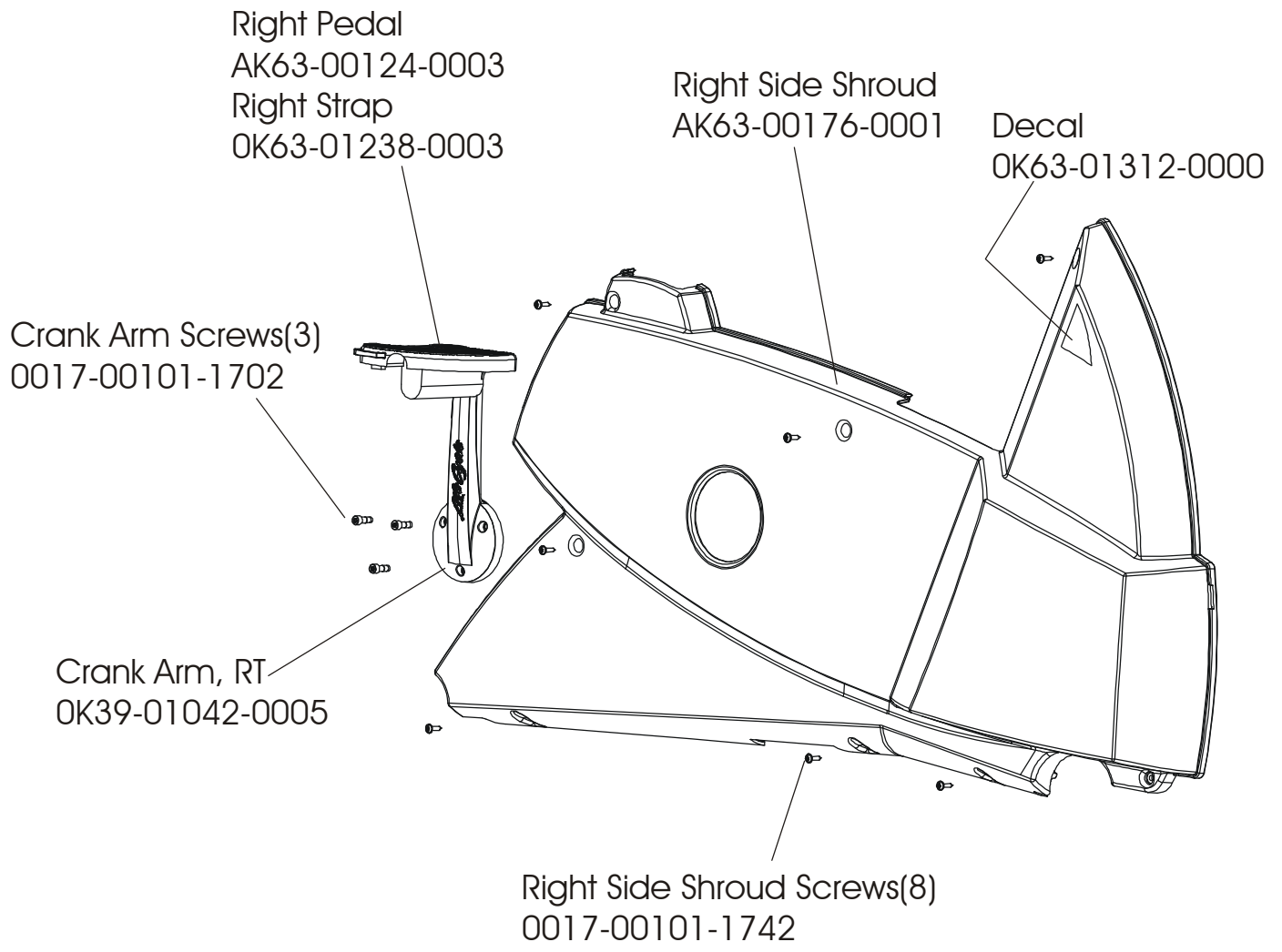
95CE-0__-01

S/N LCE100000



Life Cycle 95CE
Right Side Shroud and Crankarm

95CE-0__-01
S/N LCE100000



Life Cycle 95CE
PCB Mounting Bracket

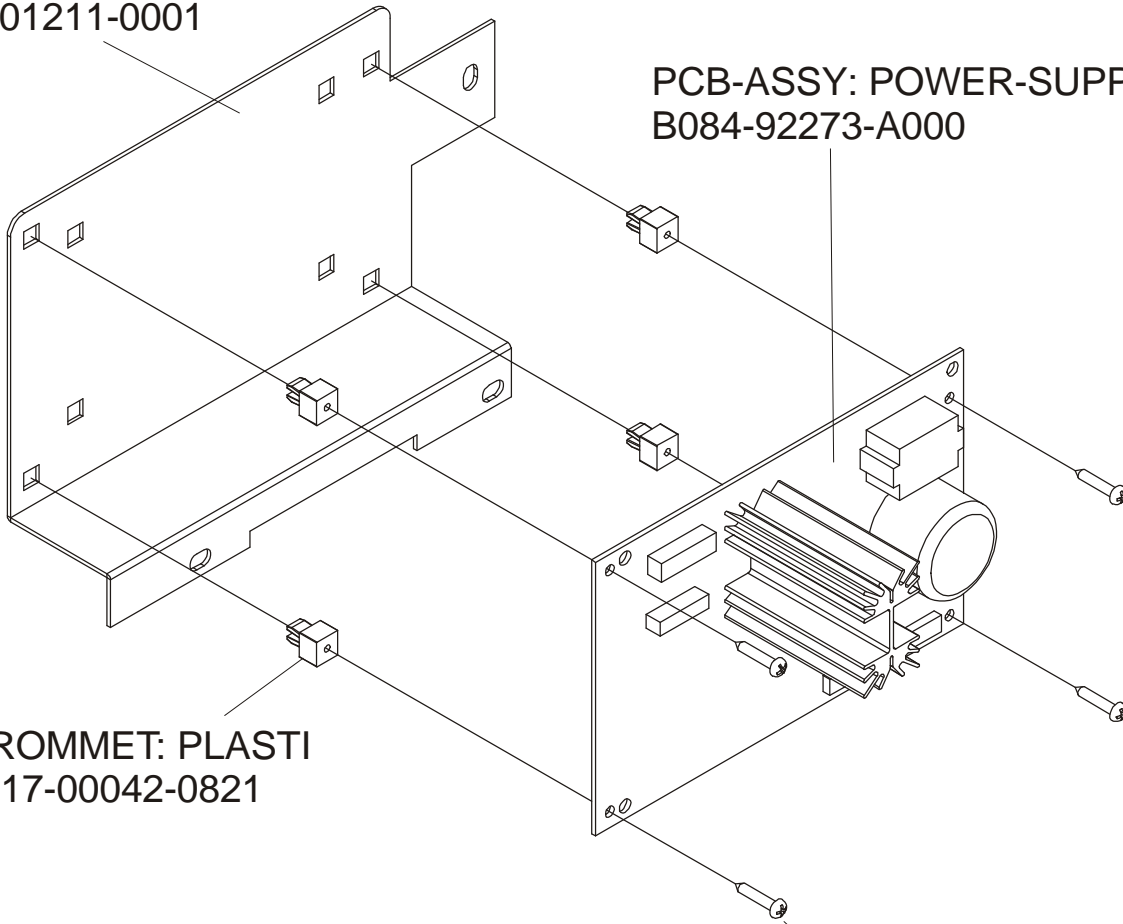
95CE-0__-01
S/N LCE100000

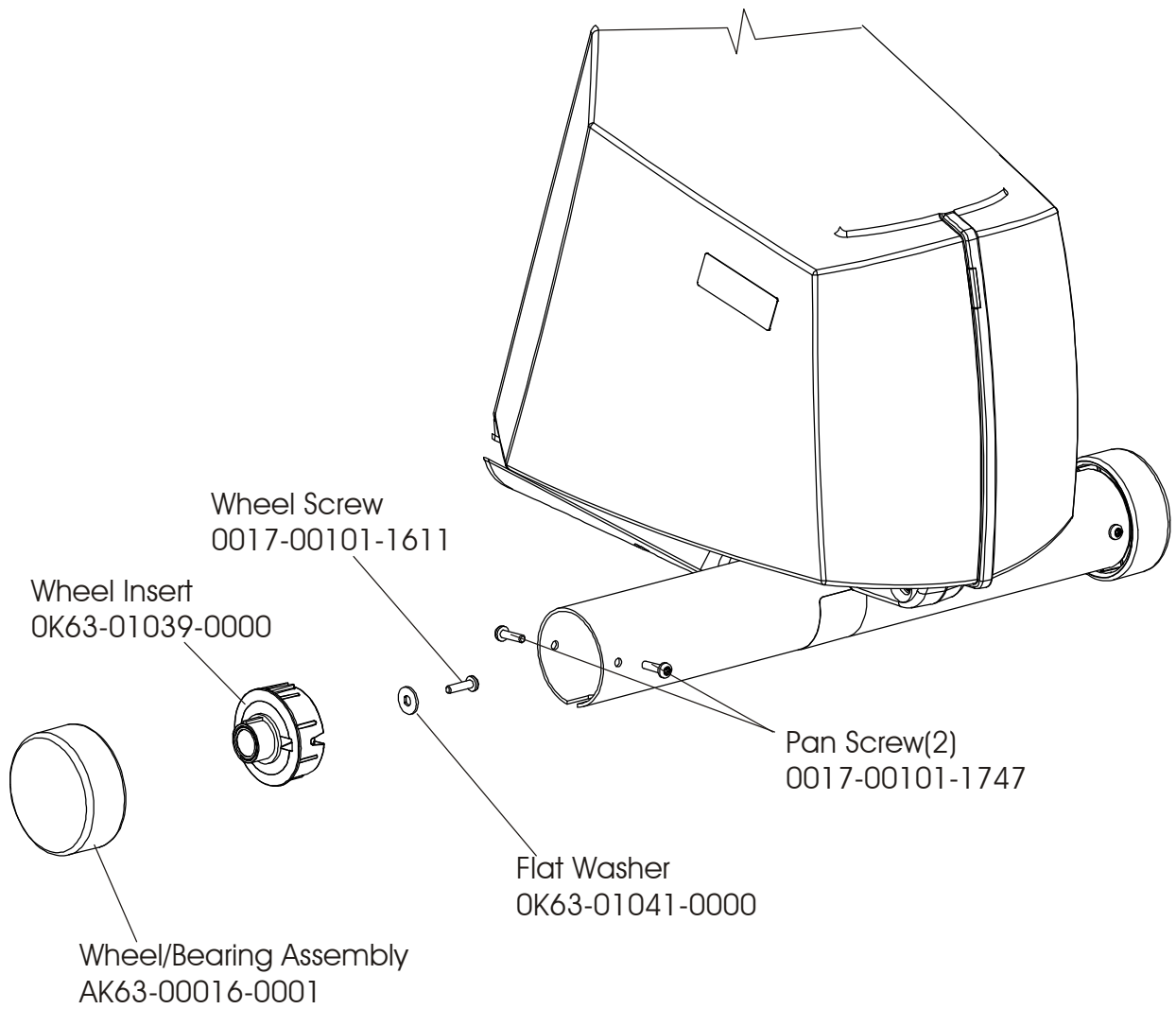
BRKT: PCB-MTG
0K63-01211-0001

PCB-ASSY: POWER-SUPPLY; LCD
B084-92273-A000

GROMMET: PLASTI
0017-00042-0821

Screw
0017-00101-0823



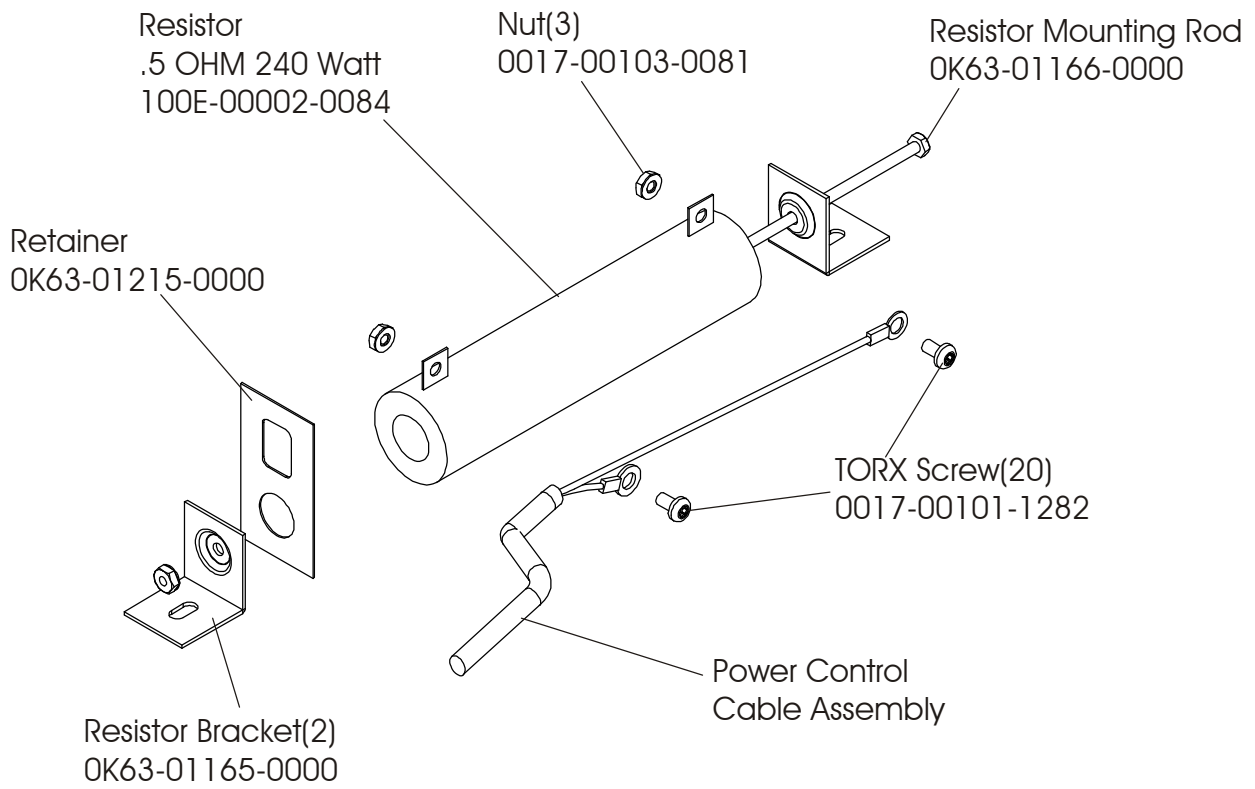


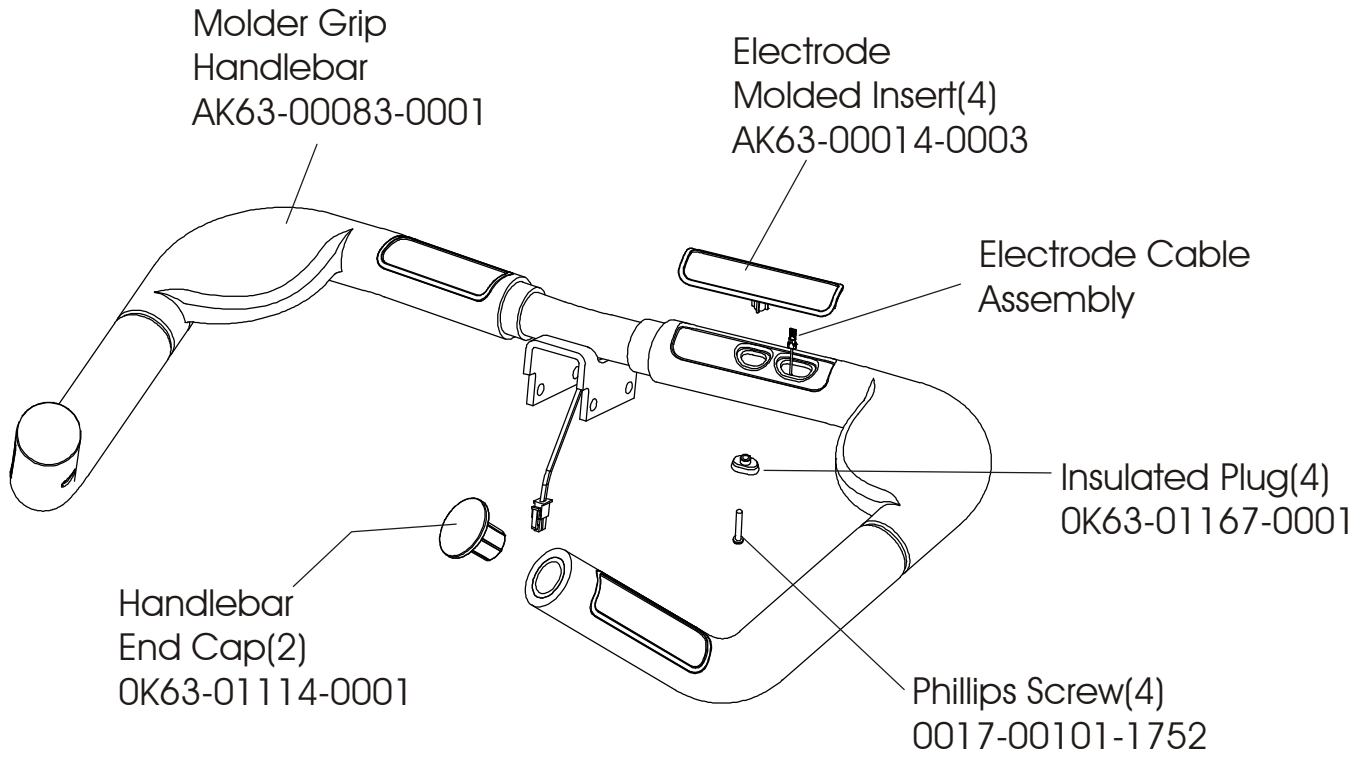
Life Cycle 95CE

Resistor Assy – AK63-00047-0001

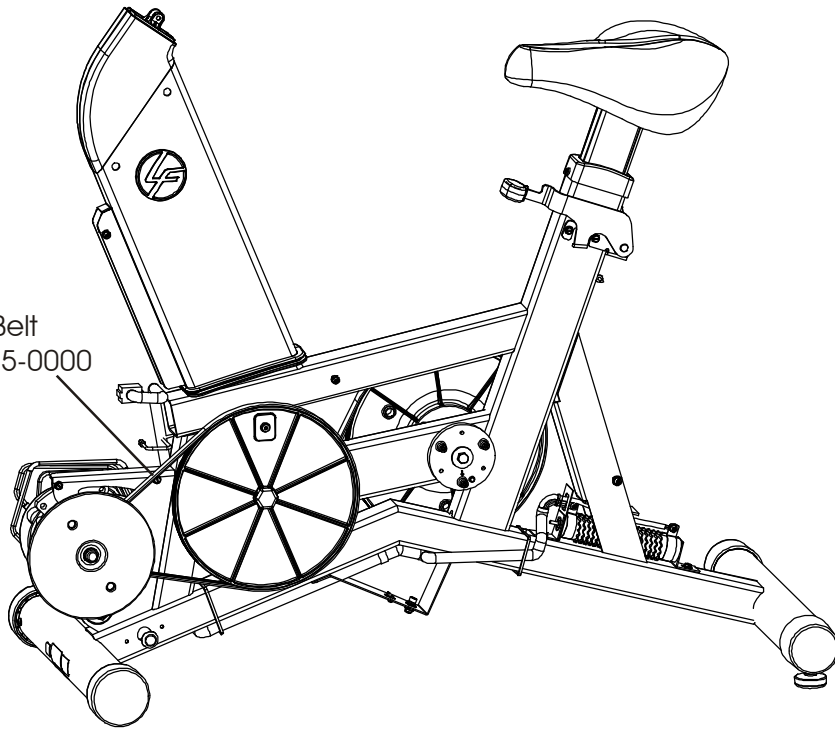
95CE-0__-01

S/N LCE100000





Alternator Belt
OK63-01065-0000



Intermediate Belt
OK63-01066-0001

